

## TDN WDR IR MFZ Ball Camera

HEW2PR2/HEW4PR2

Honeywell's new HEW2PR2/HEW4PR2 ball cameras are taking quality and reliability to the next level, providing outstanding picture clarity and hassle-free flexible system integration.



### Superior Image Quality

- Full HD 1080p 25/30 fps image with a 1/2.7" 2 megapixel sensor or full HD 4 MP 20 fps image with a 1/3" 4 megapixel sensor
- Wide Dynamic Range, up to 120 dB, ensures glare-free images
- True Day/Night provides vivid color images by day and clear black-and-white images at night with ICR
- Excellent low-light performance with 3D noise reduction, saving storage and bandwidth

### Flexible Surveillance Solution

- 2.7–12 mm motorized focus/zoom lens at F1.4
- H.264 and MJPEG codec, triple stream support
- IR LEDs provide up to 200 ft (60 m) of illumination in dimly lit or nighttime scenes (depending on scene reflectance)
- Smart IR technology provides even distribution of IR
- Weatherproof (IP66) camera housing
- -30°C to 60°C (-22°F to 140°F) working temperature
- Plug-and-play compatible with Honeywell 4/8/16-channel Performance Series Embedded NVRs

### Easy to Install and Use

- Built-in PoE (Power over Ethernet) eliminates need for separate power supply and associated wiring; 12 VDC inputs where PoE power is unavailable
- Remote configuration through web client or from the NVR
- Compatible with Honeywell's HQA-BB2 junction box, HQA-WK wall mount, HQA-PM pole mount, and HB34S2-CM corner mount

### Market Opportunities

These flexible, fully featured cameras are ideal for a wide range of surveillance applications, providing excellent picture quality at minimal bandwidth while offering reliable protection against dust, dirt, and water.

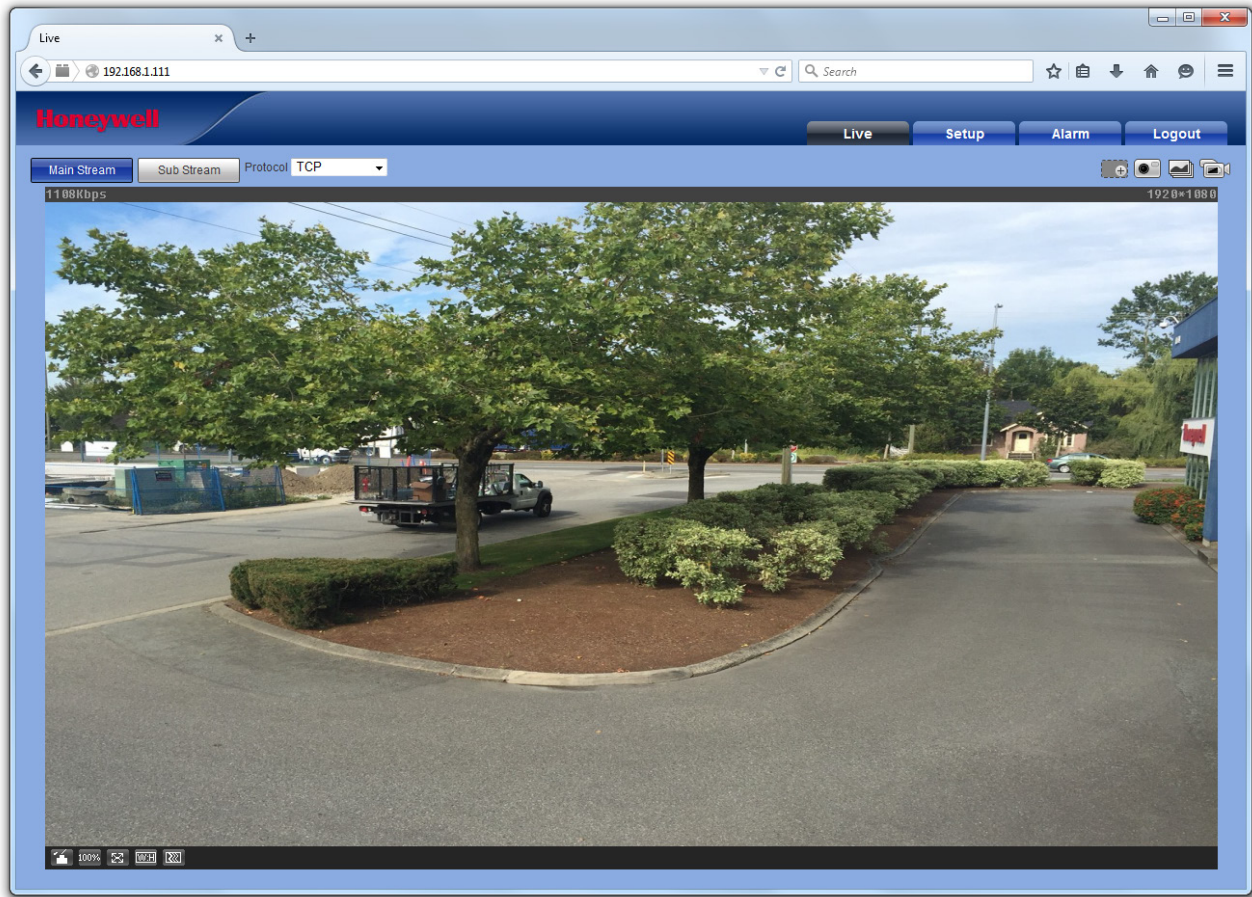
## FEATURES AND BENEFITS

- 1/2.7" 2 MP or 1/3" 4 MP progressive scan imager
- 2.7–12 mm MFZ lens
- True day/night (IR-cut filter)
- Wide dynamic range up to 120 dB
- Low-light performance down to 0.1 lux (color) or 0 lux with IR LEDs on
- Up to 200 ft (60 m) IR illumination, depending on scene reflectance
- H.264 Main Profile compression
- Triple stream support
- Supports up to 20 connections
- Corridor mode
- PoE, 12 VDC support
- Plug-and-play compatible with Honeywell Performance Series Embedded NVRs
- IP66-rated weatherproof housing

# TDN WDR IR MFZ Ball Camera

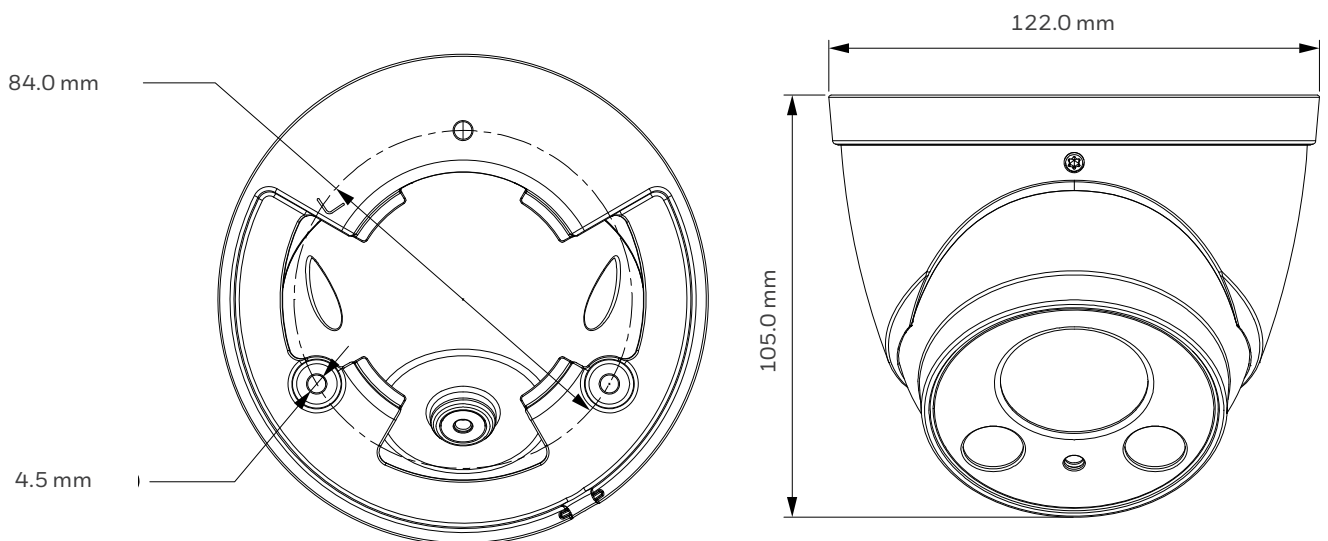
## Security Features

The camera can be configured to automatically detect and respond to events such as motion in the scene and/or camera tampering. Automated responses include sending a notification through email, FTP, and/or HTTP, and sending a still image of the event through email and/or FTP. Setup can be done using the web client or from an NVR.



## DIMENSIONS

### HEW2PR2/HEW4PR2 Dimensions



# TDN WDR IR MFZ Ball Camera

## SPECIFICATIONS

OPERATIONAL	
VIDEO STANDARD	NTSC/PAL
SCANNING SYSTEM	Progressive scan
IMAGE SENSOR	<b>HEW2PR2:</b> 1/2.7" 2 MP CMOS <b>HEW4PR2:</b> 1/3" 4 MP CMOS
NUMBER OF PIXELS (H×V)	<b>HEW2PR2:</b> 1920×1080 (2 MP) <b>HEW4PR2:</b> 2688×1520 (4 MP)
MINIMUM ILLUMINATION	0.1 lux, F1.4 (color) 0 lux (B/W with IR LEDs on)
S/N RATIO	50 dB or more
ELECTRONIC SHUTTER SPEED	1/3–1/100 000 s
IR DISTANCE	Up to 200 ft (60 m), depending on scene reflectance
DAY/NIGHT	Auto(ICR)/Color/BW
BACKLIGHT COMPENSATION	BLC/HLC/WDR (120 dB)
WHITE BALANCE	Auto/Manual
GAIN CONTROL	Auto/Manual
NOISE REDUCTION	3DNR
PRIVACY MASKING	Up to 4 areas
MOTION DETECTION	Up to 4 areas
LENS	2.7–12 mm, MFZ, F1.4
HORIZONTAL ANGLE OF VIEW	86° - 30°
CORRIDOR MODE	Yes
VIDEO	
VIDEO COMPRESSION	H.264/H.264H/H.264B/MJPEG
FRAME RATE	<b>HEW2PR2:</b> 25/30 fps @ 1920×1080 (2 MP), 25/30fps @ 1280×1024 (SXGA), 25/30fps @ 1280×960 (1.3 MP), 1280×720 (720p), 704×576/704×480 (D1), 352×288/352×240 (CIF) <b>HEW4PR2:</b> 20 fps @ 2688×1520 (4 MP); 20 fps @ 2560 × 1440 (4 MP); 25/30 fps @2304×1296 (3 MP), 1920×1080 (1080p), 25/30fps @ 1280×1024 (SXGA), 25/30fps @ 1280×960 (1.3 MP), 1280×720 (720p), 704×576/ 704×480 (D1), 352×288/352×240 (CIF)
BIT RATE (H.264)	32 Kbps – 10 Mbps
LOCAL STORAGE	microSD, 128 GB max. (not supplied)

NETWORK	
ETHERNET	RJ-45 (10/100Base-T)
PROTOCOLS*	IPv4/IPv6, HTTP, HTTPS, SSL, TCP/IP, UDP, UPnP, ICMP, IGMP, SNMP, RTSP, RTP, SMTP, NTP, DHCP, DNS, PPPoE, DDNS, FTP, IP Filter, QoS, Bonjour, 802.1X
COMPATIBILITY	ONVIF Profile S, Profile G*
MAX. USER ACCESS	20 users
MOBILE DEVICES	HonView Touch for iPhone and Android devices
ELECTRICAL	
POWER SUPPLY	PoE IEEE 802.3af Class 0, 12 VDC
POWER CONSUMPTION	<b>HEW2PR2:</b> 7.0 W max. <b>HEW4PR2:</b> 7.5 W max.
MECHANICAL	
DIMENSIONS	122.0 × 102.0 mm (4.80 × 4.02 in.)
WEIGHT	1.21 lb (0.55 kg)
CONSTRUCTION	Die-cast aluminum housing with powder coat
CONSTRUCTION COLOR	RAL 7022 (Gray)
ENVIRONMENTAL	
TEMPERATURE	–30°C to 60°C (–22°F to 140°F)
RELATIVE HUMIDITY	0–95%, non-condensing
INGRESS PROTECTION	IP66
REGULATORY	
EMISSIONS	FCC Part 15, CE (EN 55032)
IMMUNITY	CE (EN 50130-4)
SAFETY	North America UL Listed to UL/CSA 60950-1, CE (EN 60950-1)

\* Some development may be required in specific user cases to support some of these protocols in the field as they mature over time.

# TDN WDR IR MFZ Ball Camera

## SPECIFICATIONS

### SYSTEM INTEGRATION

#### OPEN IP INTEGRATION

ONVIF support and open API software integration. Refer to [www.onvif.org](http://www.onvif.org) for the ONVIF specification and the Honeywell Open Technology Alliance website (<http://www.security.honeywell.com/hota/>) to learn more about our open and integrated solutions



### SYSTEM COMPATIBILITY

#### NVRS

HEN041*2(X)	H.264 4-Channel 1080p Embedded Network Video Recorder
HEN081*2(X)	H.264 8-Channel 1080p Embedded Network Video Recorder
HEN161*2(X)	H.264 16-Channel 1080p Embedded Network Video Recorder

## ORDERING

### ACCESSORIES

#### MOUNTS

HQA-BB2	Junction box
HQA-WK	Wall mount
HQA-PM	Pole mount
HB34S2-CM	Corner mount

### CAMERAS

HEW2PR2	Network TDN WDR IR Ball Camera, 1/2.7" CMOS, 2 MP, 2.7-12 mm MFZ, 2 High Power IR LEDs, PoE, H.264
HEW4PR2	Network TDN WDR IR Ball Camera, 1/3" CMOS, 4 MP, 2.7-12 mm MFZ, 2 High Power IR LEDs, PoE, H.264

### For more information, please contact

Email: [hsf.comms@honeywell.com](mailto:hsf.comms@honeywell.com)

### Honeywell Security and Fire (APAC and ASEAN)

#### Partner Connect Portal:

[www.partnerconnect.honeywell.com](http://www.partnerconnect.honeywell.com)

#### Order Management:

[customersupportHSFASEAN@honeywell.com](mailto:customersupportHSFASEAN@honeywell.com)

Honeywell Engineering Sdn Bhd  
1<sup>st</sup> Floor, Block B, No. 10  
Jalan Bersatu 13/4  
46200 Petaling Jaya  
Tel: +603 7626 5700

### Honeywell Security and Fire (India)

#### Partner Connect Portal:

[www.partnerconnect.honeywell.com](http://www.partnerconnect.honeywell.com)

India Toll Free No: 1-800-103-0339

#### General enquiries:

[HoneywellSecurity&Fire@honeywell.com](mailto:HoneywellSecurity&Fire@honeywell.com)

Unitech Trade Centre, 5<sup>th</sup> Floor,  
Sector – 43, Block C  
Sushant Lok Phase – 1,  
Gurgaon – 122002,  
Haryana, India  
Tel: +91 124 4975000

### Honeywell Security and Fire (Korea)

Honeywell Co Ltd (Korea)  
5<sup>th</sup> Floor, Sangam IT Tower,  
434 Worldcupbuk-ro, Mapo-gu, Seoul Korea  
Tel: 82-2-799-6114

### Honeywell Security & Fire (Pacific)

#### General enquiries:

[hsf.comms.pacific@Honeywell.com](mailto:hsf.comms.pacific@Honeywell.com)  
Honeywell Ltd  
Honeywell Security & Fire  
Unit 5, 24-28 River Rd West, Parramatta NSW 2250  
Tel: 1300 234 234

### Honeywell Security & Fire (Pacific)

Honeywell Ltd  
9 Columbia Way, Norwest Business Park  
BAULKHAM HILLS NSW 2153  
Tel: (02) 9899 4155

Honeywell reserves the right, without notification, to make changes in product design or specifications.

HSFV-PerfR2-MFZBall-01-UK(0117)DS-E  
January 2017  
© 2017 Honeywell International Inc.

**Honeywell**