

TDN WDR IR Bullet Camera

HBW2PR1/HBW4PR1

Honeywell's new Performance Series IP bullet cameras are taking quality and reliability to the next level, offering outstanding picture clarity and hassle-free flexible system integration.

Superior Image Quality

- Full HD 1080p 25/30 fps image with a 1/2.7" 2 megapixel sensor or full HD 4 MP 20 fps image with a 1/3" 4 megapixel sensor
- Wide Dynamic Range, up to 120 dB, ensures glare-free images
- True Day/Night provides vivid color images by day and clear black-and-white images at night with ICR
- Excellent low-light performance with 3D noise reduction, saving storage and bandwidth

Flexible Surveillance Solution

- 3.6 mm fixed lens at F2.1 or F2.2
- H.264 and MJPEG codec, triple stream support
- IR LEDs provide up to 130 ft (40 m) of illumination in dimly lit or nighttime scenes (depending on scene reflectance)
- Smart IR technology provides even distribution of IR
- Weatherproof (IP66) camera housing
- -30°C to 60°C (-22°F to 140°F) working temperature
- Plug-and-play compatible with Honeywell 4/8/16-channel Performance Series Embedded NVRs

Easy to Install and Use

- Built-in PoE (Power over Ethernet) eliminates need for separate power supply and associated wiring; 12 VDC inputs where PoE power is unavailable
- Remote configuration through web client or from the NVR
- Compatible with HQA-BB1 junction box, HQA-PM pole mount, and HB34S2-CM corner mount



Market Opportunities

These flexible, fully featured cameras are ideal for a wide range of surveillance applications, providing excellent picture quality at minimal bandwidth while offering reliable protection against dust, dirt, and water.

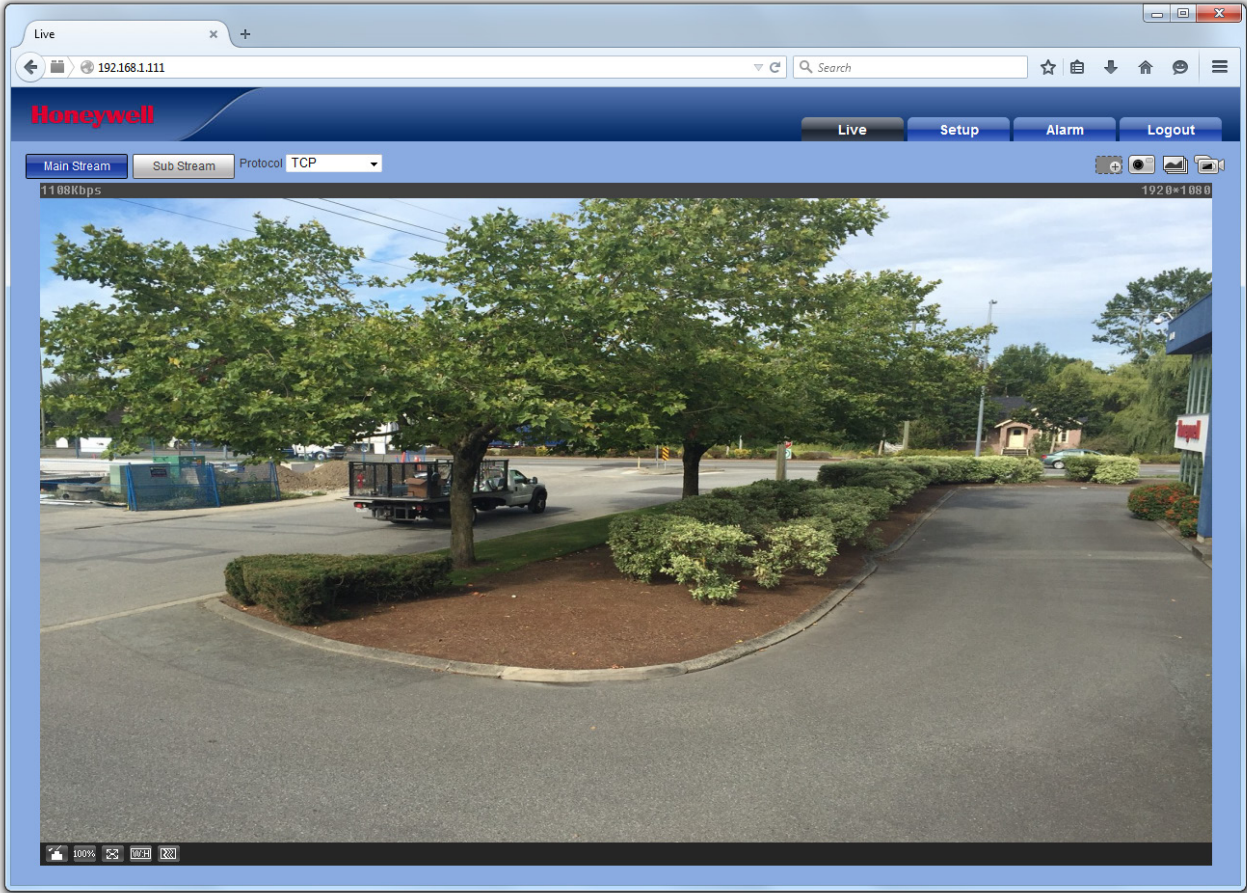
FEATURES AND BENEFITS

- 1/2.7" 2 MP or 1/3" 4 MP progressive scan imager
- 3.6 mm fixed lens
- True day/night (IR-cut filter)
- Wide dynamic range up to 120 dB
- Low-light performance down to 0.01 lux (color) or 0 lux with IR LEDs on
- Up to 130 ft (40 m) IR illumination, depending on scene reflectance
- H.264 Main Profile compression
- Triple stream support
- Supports up to 20 connections
- Corridor mode
- PoE, 12 VDC support
- Plug-and-play compatible with Honeywell Performance Series Embedded NVRs
- Weatherproof housing with IP66 ingress protection rating

TDN WDR IR Bullet Camera

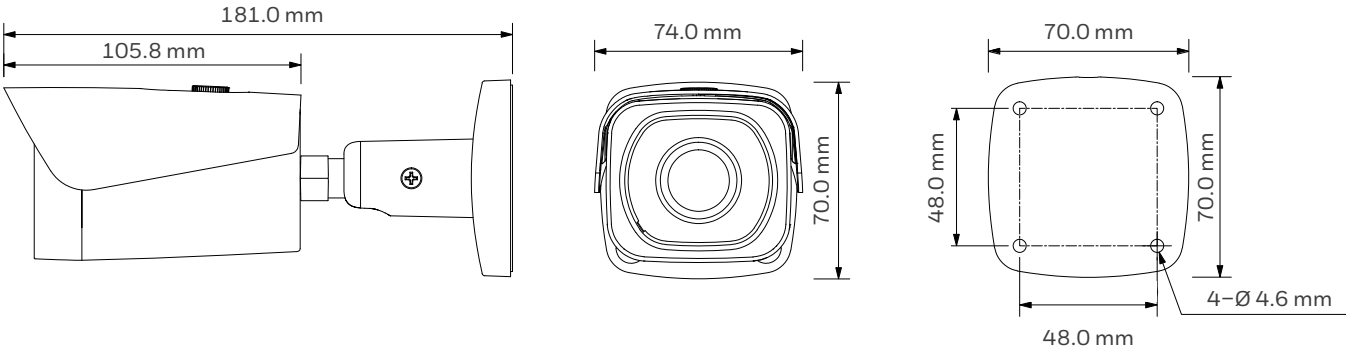
Security Features

The camera can be configured to automatically detect and respond to events such as motion in the scene and/or camera tampering. Automated responses include sending a notification through email, FTP, and/or HTTP, and sending a still image of the event through email and/or FTP. Setup can be done using the web client or from an NVR.



DIMENSIONS

HBW2PR1/HBW4PR1 Dimensions



TDN WDR IR Bullet Camera

SPECIFICATIONS

OPERATIONAL		
VIDEO STANDARD	NTSC/PAL	
SCANNING SYSTEM	Progressive scan	
IMAGE SENSOR	HBW2PR1: 1/2.7" 2 MP CMOS HBW4PR1: 1/3" 4 MP CMOS	
NUMBER OF PIXELS (H×V)	HBW2PR1: 1920×1080 HBW4PR1: 2688×1520	
MINIMUM ILLUMINATION	0.01 lux, F2.0 (color) 0 lux (with IR LEDs on)	
S/N RATIO	50 dB or more	
ELECTRONIC SHUTTER SPEED	Auto, Manual, 1/3–1/100 000 s	
IR DISTANCE	Up to 130 ft (40 m), depending on scene reflectance	
DAY/NIGHT	Auto(ICR)/Color/BW	
BACKLIGHT COMPENSATION	BLC/HLC/WDR (120 dB)	
WHITE BALANCE	Auto/Sunny/Night/Outdoor/Customized	
GAIN CONTROL	Auto/Manual	
NOISE REDUCTION	3DNR	
PRIVACY MASKING	Up to 4 areas	
LENS	HBW2PR1: 3.6 mm, F2.2 HBW4PR1: 3.6 mm, F2.1	
HORIZONTAL ANGLE OF VIEW	HBW2PR1: 93° HBW4PR1: 84°	
CORRIDOR MODE	Yes	
VIDEO		
VIDEO COMPRESSION	H.264/H.264H/H.264B/MJPEG	
RESOLUTION	HBW2PR1: 1080p (1920×1080)/ 720p (1280×720)/D1 (704×576/ 704×480)/CIF (352×288/352×240) HBW4PR1: 4 MP (2688×1520/ 2560×1440)/3 MP (2304×1296)/ 1080p (1920×1080)/720p (1280×720)/D1 (704×576/ 704×480)/ CIF (352×288/352×240)	
FRAME RATE	MAIN STREAM	HBW2PR1: 1080p/720p (1–25/30 fps) HBW4PR1: 4 MP (1–20 fps)/3MP (1–25/30 fps)
	SUB STREAM	D1/CIF (1–25/30 fps)
	TRIPLE STREAM	HBW2PR1: 720p (1–13/4 fps) HBW4PR1: 720p (1–20 fps)
BIT RATE (H.264)	32 Kbps – 10 Mbps	

NETWORK	
ETHERNET	RJ-45 (10/100Base-T)
PROTOCOLS*	IPv4/IPv6, HTTP, HTTPS, SSL, TCP/IP, UDP, UPnP, ICMP, IGMP, SNMP, RTSP, RTP, SMTP, NTP, DHCP, DNS, PPPoE, DDNS, FTP, IP Filter, QoS, Bonjour, 802.1X
COMPATIBILITY	ONVIF Profile S*
MAX. USER ACCESS	20 users
MOBILE DEVICES	iPhone, iPad, Android
ELECTRICAL	
POWER SUPPLY	PoE IEEE 802.3af Class 0, 12 VDC
POWER CONSUMPTION	HBW2PR1: 6.5 W max. HBW4PR1: 6.0 W max.
MECHANICAL	
DIMENSIONS	181.0 × 74.0 × 70.0 mm (7.13 × 2.91 × 2.76 in.)
PRODUCT WEIGHT	0.88 lb (0.4 kg)
PACKAGE WEIGHT	1.17 lb (0.53 kg)
CONSTRUCTION	Die-cast aluminum housing with powder coat
CONSTRUCTION COLOR	RAL 9003 (White)
ENVIRONMENTAL	
TEMPERATURE	–30°C to 60°C (–22°F to 140°F)
RELATIVE HUMIDITY	0–95%, non-condensing
INGRESS PROTECTION	IP66
REGULATORY	
EMISSIONS	FCC Part 15, CE (EN 55032)
IMMUNITY	CE (EN 50130-4)
SAFETY	North America UL Listed to UL/CSA 60950-1, CE (EN 60950-1) North America UL Listed to UL/CSA 60950-22, CE (EN 60950-22)

* Some development may be required in specific user cases to support some of these protocols in the field as they mature over time.

TDN WDR IR Bullet Camera

SPECIFICATIONS

SYSTEM INTEGRATION

OPEN IP INTEGRATION

ONVIF support and open API software integration. Refer to www.onvif.org for the ONVIF specification and the Honeywell Open Technology Alliance website (<http://www.security.honeywell.com/hota/>) to learn more about our open and integrated solutions.



ORDERING

ACCESSORIES

MOUNTS

HQA-BB1	Junction box
HQA-PM	Pole mount
HB34S2-CM	Corner mount

CAMERAS

HBW2PR1	Network TDN WDR IR Bullet Camera, 1/2.7" CMOS, 2 MP, 3.6 mm Fixed, 2 High Power IR LEDs, PoE, H.264
HBW4PR1	Network TDN WDR IR Bullet Camera, 1/3" CMOS, 4 MP, 3.6 mm Fixed, 2 High Power IR LEDs, PoE, H.264

For more information, please contact

Email: hsf.comms@honeywell.com

Honeywell Security and Fire (APAC and ASEAN)

Partner Connect Portal:

www.partnerconnect.honeywell.com

Order Management:

customersupportHSFASEAN@honeywell.com

Honeywell Engineering Sdn Bhd

1st Floor, Block B, No. 10

Jalan Bersatu 13/4

46200 Petaling Jaya

Tel: +603 7626 5700

Honeywell Security and Fire (India)

Partner Connect Portal:

www.partnerconnect.honeywell.com

India Toll Free No: 1-800-103-0339

General enquiries:

HoneywellSecurity&Fire@honeywell.com

Unitech Trade Centre, 5th Floor,

Sector – 43, Block C

Sushant Lok Phase – 1,

Gurgaon – 122002,

Haryana, India

Tel: +91 124 4975000

Honeywell Security and Fire (Korea)

Honeywell Co Ltd (Korea)

5th Floor, Sangam IT Tower,

434 Worldcupbuk-ro, Mapo-gu, Seoul Korea

Tel: 82-2-799-6114

Honeywell Security & Fire (Pacific)

General enquiries:

hsf.comms.pacific@Honeywell.com

Honeywell Ltd

Honeywell Security & Fire

Unit 5, 24-28 River Rd West, Parramatta NSW 2250

Tel: 1300 234 234

Honeywell Security & Fire (Pacific)

Honeywell Ltd

9 Columbia Way, Norwest Business Park

BAULKHAM HILLS NSW 2153

Tel: (02) 9899 4155

Honeywell reserves the right, without notification, to make changes in product design or specifications.

HSFV-PerfR2-Bullet-01-UK(0117)DS-E
January 2017

© 2017 Honeywell International Inc.

Honeywell